

PROJECT NAME: \_\_\_\_\_  
 ITEM NUMBER: \_\_\_\_\_  
 QUANTITY: \_\_\_\_\_  
 LENGTH: \_\_\_\_\_

**FRAMELESS**

**FRAMELESS SUPPORT:**

- Clear Tempered Glass
- Optional Printed Glass

**MOUNTING OPTIONS:**

- 640-Z Above counter Surface Mount (Standard)
- Channel trim mounting

Standard mount glass clamp as shown in render.  
 Refer to mounting cut sheet or factory for more information

**GLASS:**

- 1/4" Glass     3/8" Glass
- 1/2" Glass

**END PANELS:**

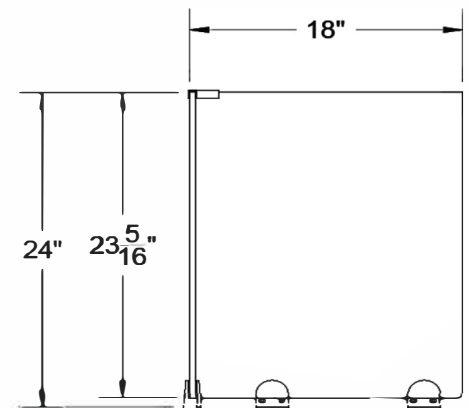
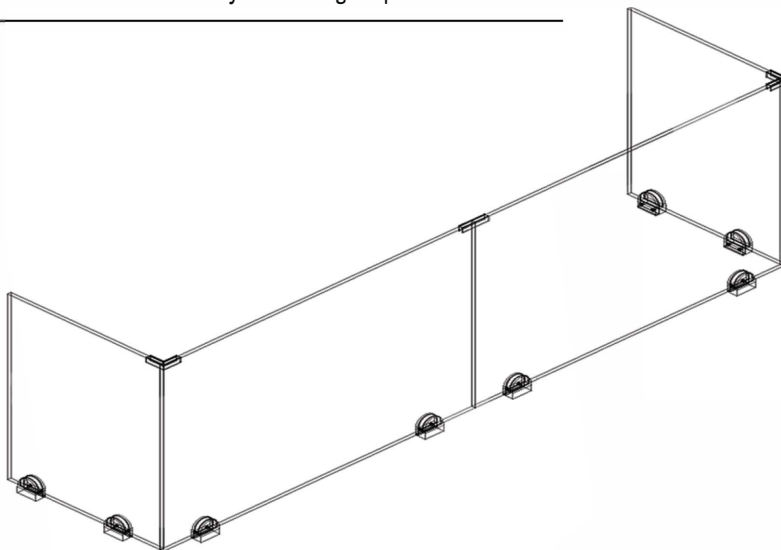
- Both (Std.)     Right Only
- None     Left Only

**ELECTRICAL COMPONENTS:**

\*Contact factory for heat/light options



**FRAMELESS GUARDS**



Specifications for reference only and may be changed without notice. All orders require approved shop drawings prior to release to production. Products are drawn and built to customer specification. It is the responsibility of the customer to ensure product meets local health board standards.