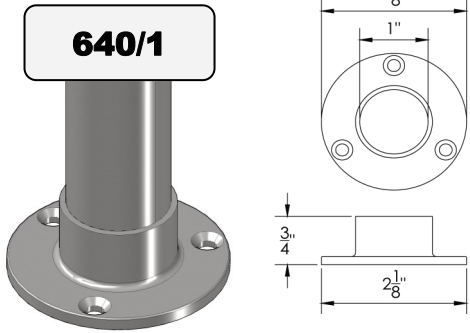
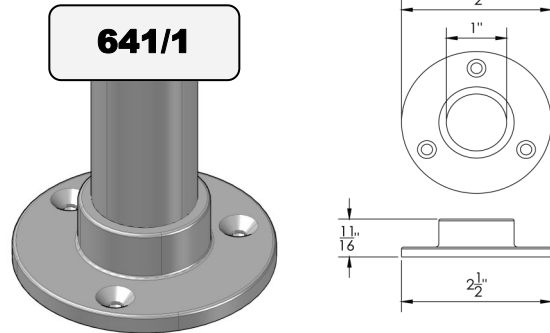


**OPTIONS FOR SURFACE MOUNTING  
1" OD STAINLESS TUBE**

**Typical Surface Mount  
Flange For Guards  
with Rear Legs**



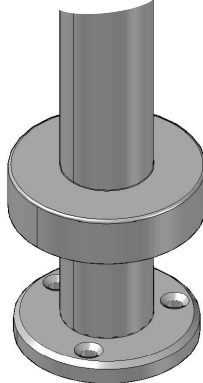
**Typical Surface Mount  
Flange for Guards  
without Rear Legs**



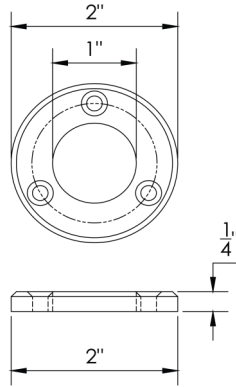
**Round Surface  
Mount Flange with  
Optional  
Flange Cover**

**640B-2/1**

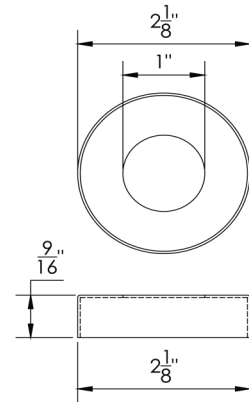
**Assembly with  
Welded Flange and  
Loose Cover**



**Mounting  
Flange**



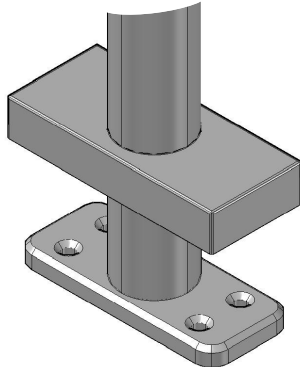
**Optional  
Flange Cover**



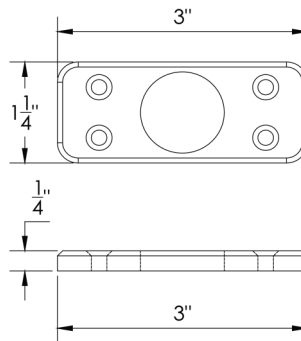
**Narrow Surface  
Mount Flange with  
Optional  
Flange Cover**

**644B-3/1**

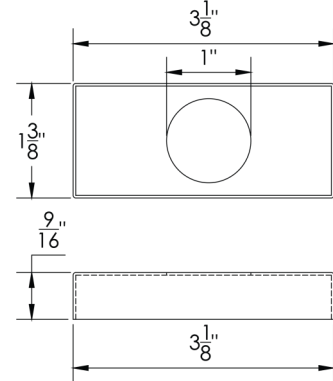
**Assembly with  
Welded Flange and  
Loose Cover**



**Mounting  
Flange**



**Optional  
Flange Cover**



Specifications for reference only and may be changed without notice. All orders require approved shop drawings prior to release to production. Products are drawn & built to meet NSF Standard 2. It is the responsibility of the customer to ensure product meets local health board standards.

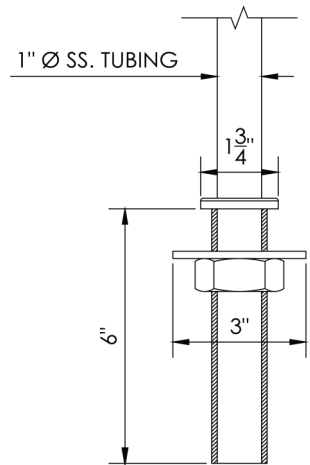
Web: [www.pmg-inc.com](http://www.pmg-inc.com)  
Email: [info@pmg-inc.com](mailto:info@pmg-inc.com)  
Phone: 1-800-251-5800  
Fax: 1-800-251-2515



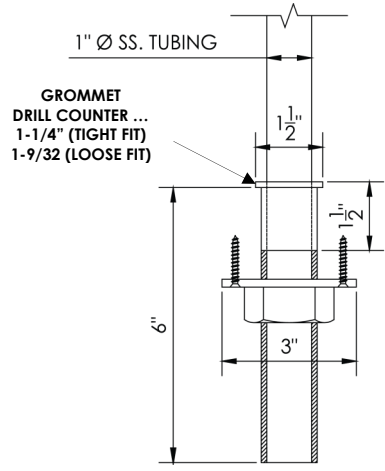
Printed in the USA (01/2016)  
Premier Metal & Glass Ventures, Inc.  
1835 MacArthur Blvd., NW  
Atlanta, Ga 30318

**OPTIONS FOR UNDER COUNTER  
MOUNTING 1" OD STAINLESS TUBE**

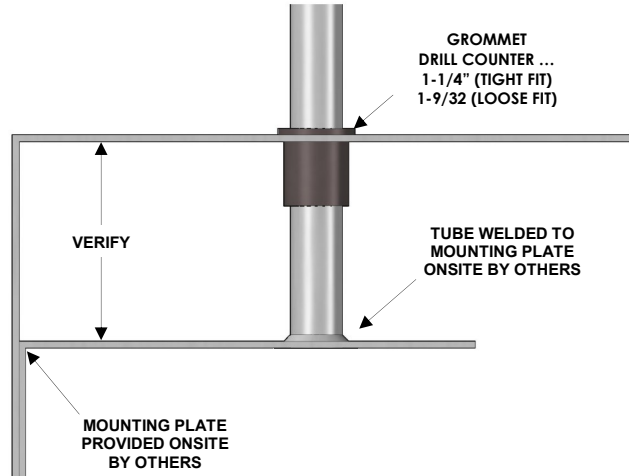
**223 MOUNTING OPTION**  
UNDER COUNTER MOUNT -  
THIS IS A COMPRESSION FITTING  
WITH THREADED SLEEVE AND NUT/  
WASHER SYSTEM.



**223/A MOUNTING OPTION**  
UNDER COUNTER MOUNT -  
THIS SYSTEM INCLUDES A GROMMET  
AND THREADED SLEEVE WITH NUT TO  
SNUG TO COUNTER AND  
WASHER WHICH SCREWS TO WOOD  
COUNTER SUBSTRATE.



**223/B MOUNTING OPTION**  
UNDER COUNTER MOUNT -  
THIS SYSTEM INCLUDES A GROMMET  
AND REQUIRES THE POST TO BE  
WELDED TO AN UNDER COUNTER  
MOUNTING PLATE ONSITE BY OTHERS.



Specifications for reference only and may be changed without notice. All orders require approved shop drawings prior to release to production. Products are drawn & built to meet NSF Standard 2. It is the responsibility of the customer to ensure product meets local health board standards.

Web: [www.pmg-inc.com](http://www.pmg-inc.com)  
Email: [info@pmg-inc.com](mailto:info@pmg-inc.com)  
Phone: 1-800-251-5800  
Fax: 1-800-251-2515



Printed in the USA (01/2016)  
Premier Metal & Glass Ventures, Inc.  
1835 MacArthur Blvd., NW  
Atlanta, Ga 30318