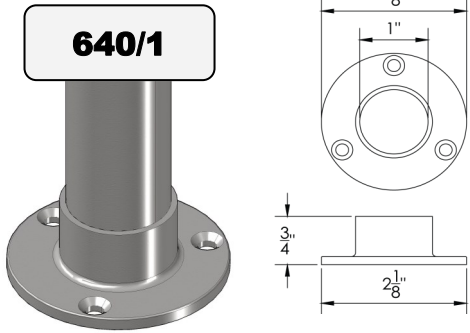
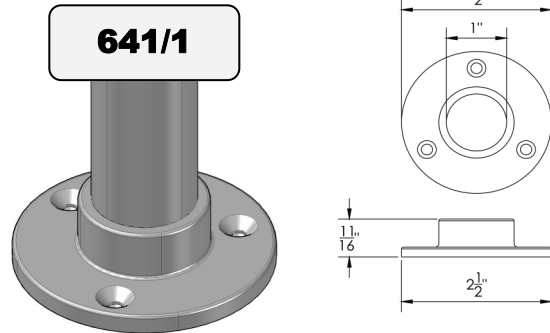


**OPTIONS FOR SURFACE MOUNTING
1" OD STAINLESS TUBE**

**Typical Surface Mount
Flange For Guards
with Rear Legs**



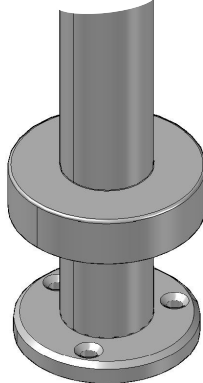
**Typical Surface Mount
Flange for Guards
without Rear Legs**



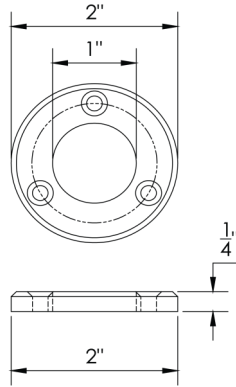
**Round Surface
Mount Flange with
Optional
Flange Cover**

640B-2/1

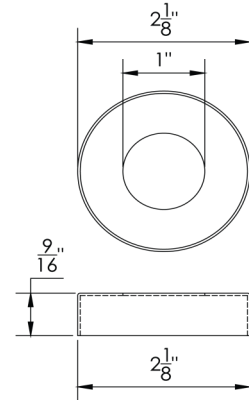
**Assembly with
Welded Flange and
Loose Cover**



**Mounting
Flange**



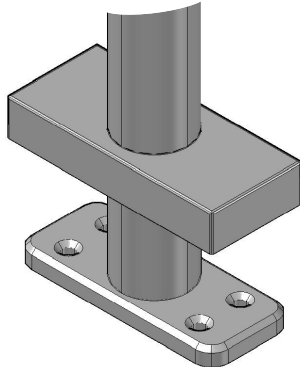
**Optional
Flange Cover**



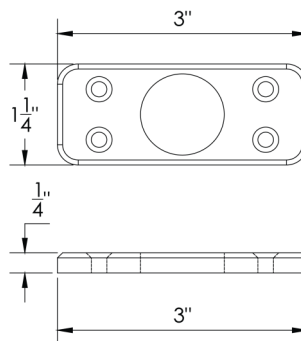
**Narrow Surface
Mount Flange with
Optional
Flange Cover**

644B-3/1

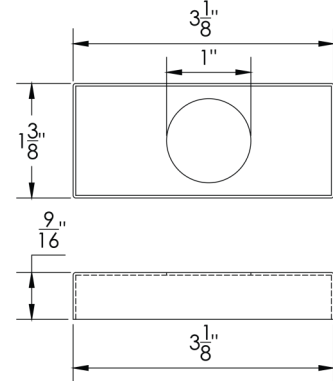
**Assembly with
Welded Flange and
Loose Cover**



**Mounting
Flange**



**Optional
Flange Cover**



Specifications for reference only and may be changed without notice. All orders require approved shop drawings prior to release to production. Products are drawn & built to meet NSF Standard 2. It is the responsibility of the customer to ensure product meets local health board standards.

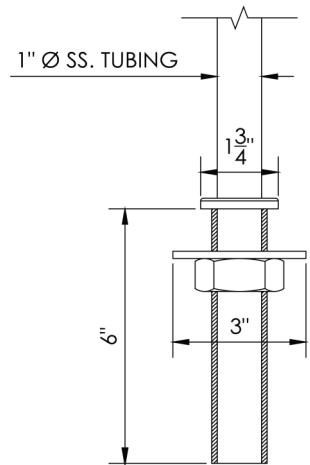
Web: www.pmg-inc.com
Email: info@pmg-inc.com
Phone: 1-800-251-5800
Fax: 1-800-251-2515



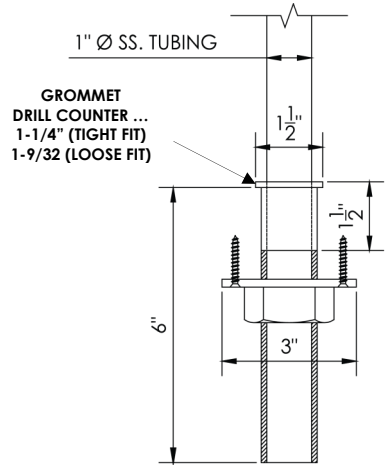
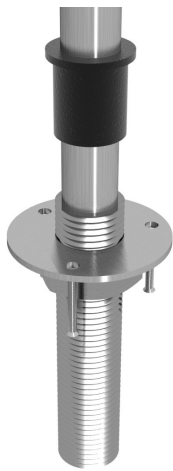
Printed in the USA (01/2016)
Premier Metal & Glass Ventures, Inc.
1835 MacArthur Blvd., NW
Atlanta, Ga 30318

**OPTIONS FOR UNDER COUNTER
MOUNTING 1" OD STAINLESS TUBE**

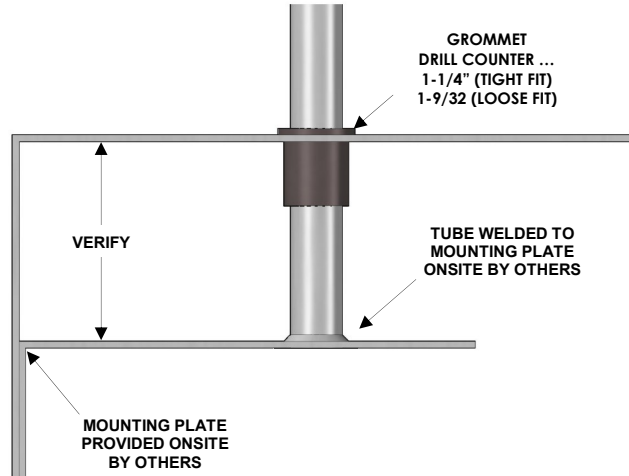
223 MOUNTING OPTION
UNDER COUNTER MOUNT -
THIS IS A COMPRESSION FITTING
WITH THREADED SLEEVE AND NUT/
WASHER SYSTEM.



223/A MOUNTING OPTION
UNDER COUNTER MOUNT -
THIS SYSTEM INCLUDES A GROMMET
AND THREADED SLEEVE WITH NUT TO
SNUG TO COUNTER AND
WASHER WHICH SCREWS TO WOOD
COUNTER SUBSTRATE.



223/B MOUNTING OPTION
UNDER COUNTER MOUNT -
THIS SYSTEM INCLUDES A GROMMET
AND REQUIRES THE POST TO BE
WELDED TO AN UNDER COUNTER
MOUNTING PLATE ONSITE BY OTHERS.



Specifications for reference only and may be changed without notice. All orders require approved shop drawings prior to release to production. Products are drawn & built to meet NSF Standard 2. It is the responsibility of the customer to ensure product meets local health board standards.