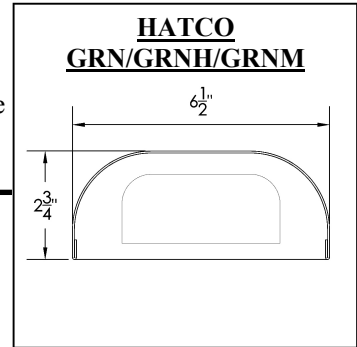
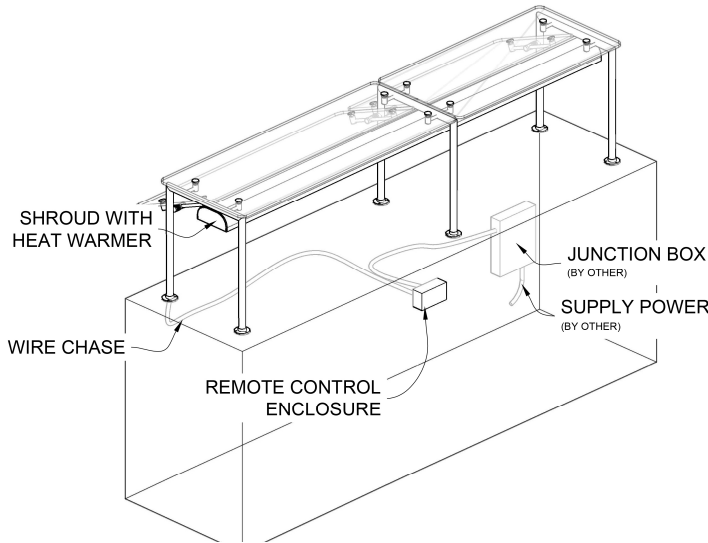


PREMIER NARROW STRIP HEATER SPECIFICATION

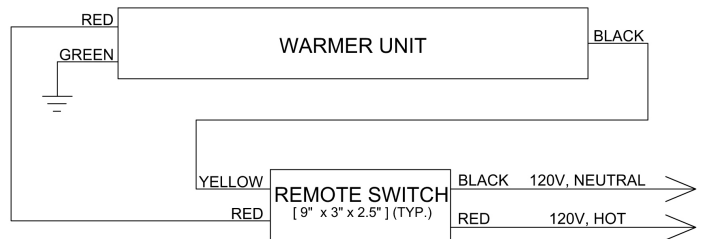
Premier narrow strip heater fixtures are UL listed with mark prominently displayed. Supplied in a stainless steel shroud, a UL/NSF/ANSI finish is typically made to match the food guard.



GENERAL WIRING GUIDELINES



SCHEMATIC



ADDITIONAL WARMER SPECIFICATIONS (GRNM—120V* MODEL)

Fixture Length	Model	Weight (lb.)	Wattage	Amps
18"	GRNM-18	6	450	3.8
24"	GRNM-24	7	650	5.4
30"	GRNM-30	8	825	6.9
36"	GRNM-36	9	1000	8.0
42"	GRNM-42	10	1175	9.8
48"	GRNM-48	11	1300	10.8
54"	GRNM-54*	13	1500	7.2*
60"	GRNM-60*	14	1700	8.2*
66"	GRNM-66*	16	1875	7.7*
72"	GRNM-72*	17	2025	9.8*

* 54 - 72" UNITS COME IN 208V ONLY

Specifications for reference only and may be changed without notice. All orders require approved shop drawings prior to release to production. Products are drawn & built to meet NSF Standard 2. It is the responsibility of the customer to ensure product meets local health board standards.

Web: www.pmg-inc.com
 Email: info@pmg-inc.com
 Phone: 1-800-251-5800
 Fax: 1-800-251-2515



Printed in the USA (01/2016)
 Premier Metal & Glass Ventures, Inc.
 1835 MacArthur Blvd., NW
 Atlanta, GA 30318