

# NSF ANSI/2 - 2015

Section 5.36

## QUICK GUIDE

### FOR FOOD SHIELDS

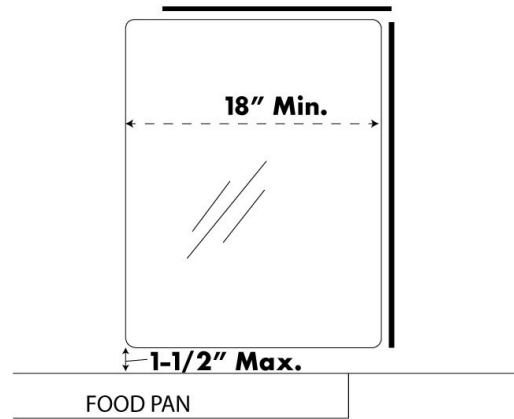
#### General Requirements

SEE IMAGES 1 & 2

- ◆ A vertical barrier (end shield) shall be provided at each end of a food shield.
- ◆ The vertical barrier shall be a minimum of 18" deep (front to back) beginning at the leading edge of the food shield. Exception: For vertical shields the minimum depth (front-to-back) may be reduced to 12".
- ◆ The minimum height of the vertical barrier shall be equal to the overall height of the food shield.
- ◆ The maximum distance from the bottom edge of the vertical barrier and counter top shall be 1.5" .
- ◆ A food shield intended to be installed a maximum of 3" from a building wall perpendicular to the food shield is exempt from the requirement provided that the height of the building wall is not lower than the overall height of the food shield.
- ◆ The maximum horizontal distance between vertical, horizontal and angled panels at post and framing member locations shall be 2".

Image 1

#### Side Panel Full-Service Food Shield



#### Side Panel Vertical Food Shield

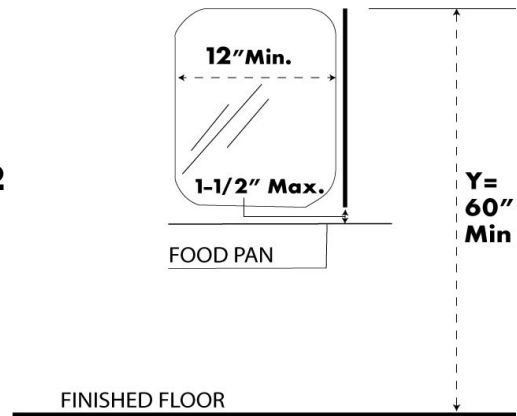


Image 2

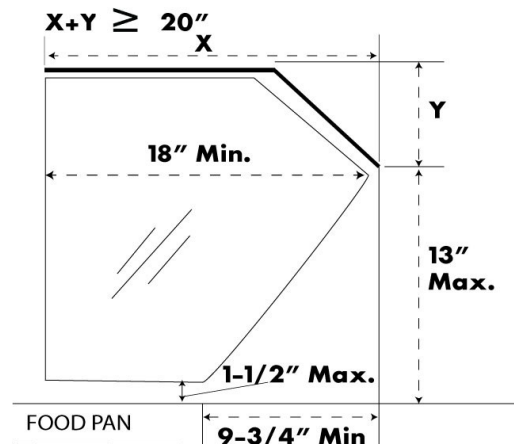
#### SELF SERVICE FOOD SHIELD DIMENSIONS

SEE IMAGE 3

- ◆ The maximum vertical distance between a counter top and the bottom leading edge of a food shield shall be 13" .
- ◆ The distance from the front edge of the food display (heat pan or unpackaged food area) and the bottom front edge of the food shield must be 3/4 the vertical distance. Ex. If the vertical opening is 13" as stated above, the distance between the front edge of the food display and the front of the food shield must be a minimum of 9.75" (13"x .75= 9.75").
- ◆ The sum of a food shield's protected horizontal plane (X) and its protected vertical plane (Y) shall be greater than or equal to 20". Either X or Y may equal 0".

Image 3

#### Self-Service Food Shield Dimensions



*\*\*The purpose of this flyer is to provide an overview of the NSF/ANSI 2015 standards for Food Shields. Not all dimensions are included. Contact the factory if you'd like to request the full three pages of standards.*

# NSF ANSI/2 - 2015

Section 5.36

## QUICK GUIDE

### FOR FOOD SHIELDS

#### FULL SERVICE FOOD SHIELDS FOR CAFETERIA COUNTERS

SEE IMAGE 4

- ◆ The sum of (X) the protected Horizontal Plane and (Y) the protected Vertical Plane shall be greater than or equal to 24".
- ◆ Where (X) equals 0", (Y) shall be a minimum of 60" from finished floor.
- ◆ The maximum distance between the top shelf glass and front panel is .75".
- ◆ The maximum distance between the vertical glass panel and the counter shall be 1.5".
- ◆ The minimum distance from the front panel to the leading edge of displayed food is 1.5"

#### VERTICAL & CARVING STATION FOOD SHIELDS

SEE IMAGES 5 & 6

- ◆ Food Shields for use on cooking and/or carving stations shall include a vertical barrier to a minimum of height of 60" above the finished floor.
- ◆ Food Shields for carving stations shall have a maximum vertical distance from the bottom edge of the food shield and counter top of 6".
- ◆ The minimum horizontal distance between the front inside edge of displayed food and the front face of the food shield shall be .75 of the 6" vertical opening. (See example where .75 of 6" is 4.5")

Image 4



Image 5

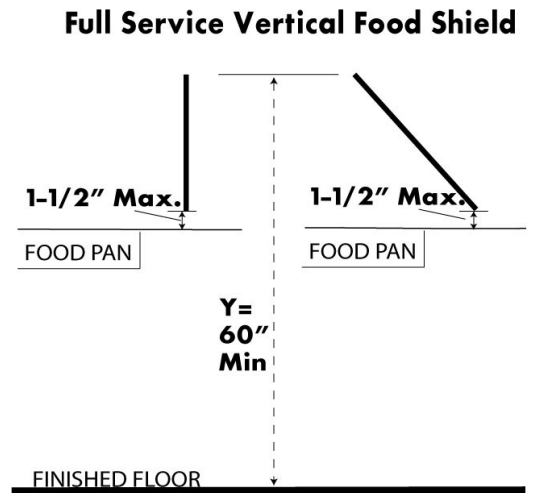
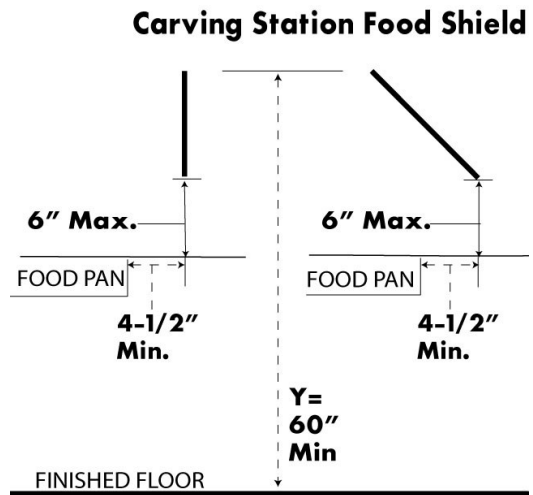


Image 6



*\*\*The purpose of this flyer is to provide an overview of the NSF/ANSI 2015 standards for Food Shields. Not all dimensions are included. Contact the factory if you'd like to request the full three pages of standards.*