

PROJECT NAME: \_\_\_\_\_  
 ITEM NUMBER: \_\_\_\_\_  
 QUANTITY: \_\_\_\_\_  
 LENGTH: \_\_\_\_\_



**INFINITY™ Support**

- 1/2" Clear Tempered Glass  
Please contact factory for additional options

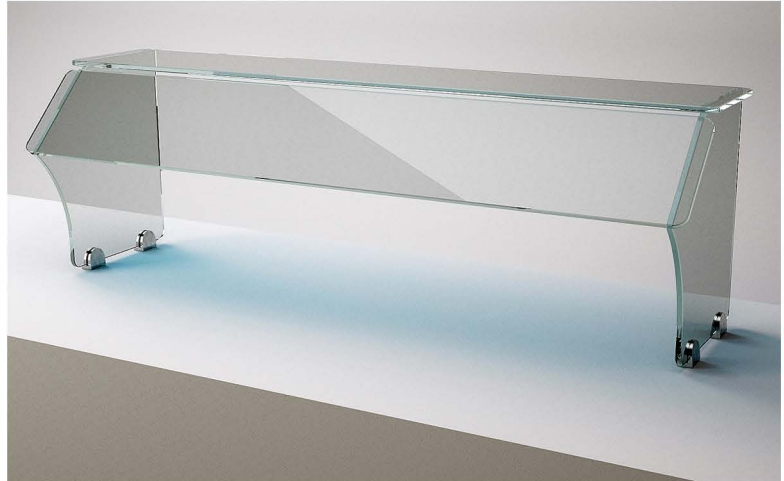
**GLASS:**

- 1/2" Glass - 72" Max. Span  
Contact factory for spans exceeding max.

**MOUNTING OPTIONS:**

Some mounting options may not be available on some cantilevered/counter substrate combinations. Refer to mounting cut-sheet or contact factory for additional information.

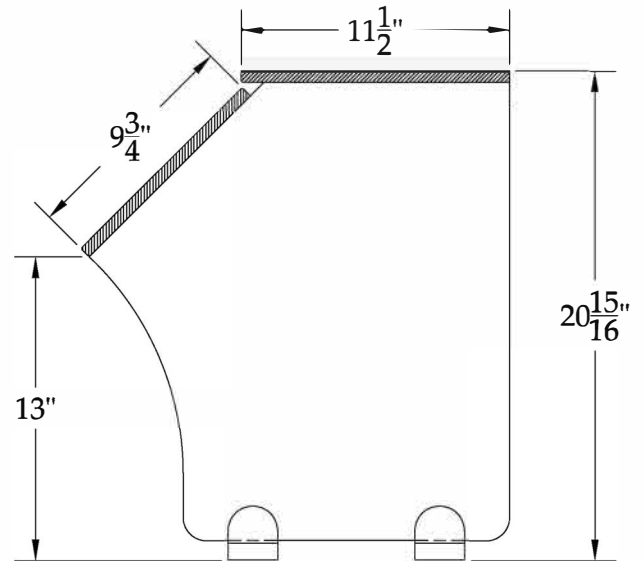
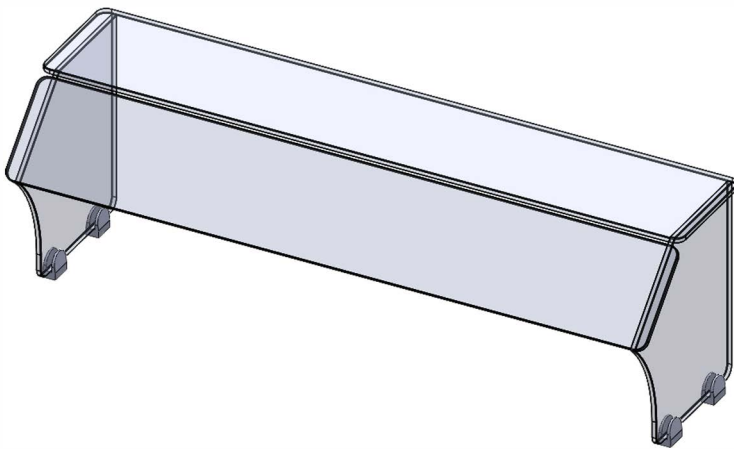
- 640-Z Above counter Surface Mount (Standard)
- 640-FB Above counter Surface Mount with Stainless Flatbar



**UV BONDED GUARDS**

**END PANELS:**

As required by NSF/ANSI 2 standards, all food shields will be quoted with side and panels unless customer requests otherwise. Standards available upon request.



Specifications for reference only and may be changed without notice. All orders require approved shop drawings prior to release to production. Products are drawn and built to customer specification. It is the responsibility of the customer to ensure product meets local health board standards.